



SERVICE PIPING OR TUBING				FLANGES & FITTINGS				HAND VALVES				REFRIGERANT CONTROL VALVES				RELIEF VALVES			
SIZE	MATERIAL	MATL. SPECS	SIZE	MATERIAL	REMARKS	MANUFACTURER	SIZE	MATERIAL	REMARKS	MANUFACTURER	SIZE	MATERIAL	REMARKS	MANUFACTURER	SIZE	MATERIAL	REMARKS		
AMMONIA PIPING (ALL) -49.9F - +250F	2" & ABOVE	CARBON STEEL	ASTM A53 B2 B, ERW SCH 40	ALL	CARBON STEEL SEMI STEEL SCH. 40	ALL FLANGES & FITTINGS TO BE STANDARD RETRO. FITTINGS AND TO MATCH OR EXCEED PIPE RATINGS	PARKER, R/S	1/2" TO 1 1/4"	FORGED STEEL	NO WELDMENTS, (one piece) CRES STEEL MAMP 400 PSIG -600F TO +3200F	PARKER, RS	ALL	CAST STEEL, CAST SEMI STEEL	MAX OPERATING D/P 20.7 BAR (300PSIG) MFT+2200F, MFT-500F	HENRY	ALL	GRAY OR CAST IRON BODY	STEEL BONNET, CRES INTERNAL PARTS LEAD ALLOY SEAT	
								1 1/2" & ABOVE	CAST STEEL		HANSEN	ALL	DUCTILE IRON BODY	65,000 PSI TENSILE SAFE WP 27 BAR (400 PSIG) MAMP -600F TO +2400F	CYRUS-SHANK	ALL	GRAY OR CAST IRON BODY	STEEL BONNET, CRES INTERNAL PARTS TEFLON SEAT	
	1 1/2" & ABOVE	CARBON STEEL	ASTM A106 OR B, SEAMLESS SCH. 80					1/2" - 3/4"	FORGED STEEL	ASTM A-108 400PSIG (27 BAR) -600F - 2400F CHARRY IMPACT TEST -580F									
								1" - 14"	CAST STEEL	ASTM A-108 400PSIG (27 BAR) -600F - 2400F CHARRY IMPACT TEST -580F									
								1/2"-3"	DUCTILE IRON	400 PSIG MAX COLD WORKING PRESSURE -40F - +300F	HENRY								
								4"	CAST GRAY IRON	400 PSIG MAX COLD WORKING PRESSURE -40F - +300F									
								5"-12"	CAST GRAY IRON	400 PSIG MAX COLD WORKING PRESSURE -40F - +300F									

NH3 RECIRCULATION PUMPS												
PUMP #	LOCATION	MODEL #	IMPELLER SIZE (IN)	SPEED (RPM)	TYPE	HEAD (PSIG)	NPSH REQ'D (FT)	DRIVE	MOTOR HP	FRAME SIZE	(V/PH/HZ)	COMMENTS
R2-P1	RECIRCULATOR#2	CORNELL 1 1/2 CLBS-2		3480	N/A			DIRECT	5		460/3/60	
R2-P2	RECIRCULATOR#2	CORNELL 1 1/2 CLBS-2		3480	YES			DIRECT	5	182TC2	460/3/60	
R3-P1	RECIRCULATOR#3	CORNELL 1 1/2 CLBS-2		3480	YES			DIRECT	5	182TC2	460/3/60	
R3-P2	RECIRCULATOR#3	CORNELL 1 1/2 CLBS-2		3480	YES			DIRECT	5	182TC2	460/3/60	

EVAPORATORS															
AHU #	LOCATION	MODEL #	QTY	ROOM TEMP (oF)	COIL TEMP (oF)	BASIC RATING (BTU/oF TD)	CAPACITY (TR)	TYPE OF FEED	RECIRC RATE	# OF FANS	FAN MOTOR (HP)	MOTOR FRAME SIZE	ELECT. (V/PH/HZ)	TYPE OF DEFROST	COMMENTS
D1, 2	DOCK	KRACK/DIXDA-760-DXA-HGC-LH	2	+35-+37	25			DX		3	1/3	N/A	208-230-460/3/60	HG	
C1-4	COOLER	KRACK/UDAL PCATL-1710-3-1.5-RBA	4	+28	18			RECIRC		2	1.5	184T	460/3/60	HG	
F1, 2	FREEZER	KRACK/UDAL PCATL-1710-4-2-RBA-HGU-LH	2	-10	0			RECIRC		1	2	184T	460/3/60	HG	
F2	FREEZER	KRACK/UDAL PCATL-1710-4-2-RBA-HGU-RH	1	-10	0			RECIRC		1	2	184T	460/3/60	HG	

COMPRESSORS												
COMP #	MODEL #	CAPACITY (TR)	HP REQUIRED (oF/+95oF)	CAPACITY (TR)	HP REQUIRED (oF/+95oF)	CAPACITY (TR)	HP REQUIRED (oF/+95oF)	MOTOR FRAME SIZE (HP)	MOTOR FRAME SIZE	MOTOR ELEC. V/PH/HZ	OIL COOLING	COMMENTS
2	RWB II 60 H							150	405TS	460/3/60	LI	
3	RWB II 75 H							200	444TS	460/3/60	LI	
4	RWB II 134 E							250	445TS	460/3/60	LI	
8	RWB II 100 H							250	445TS	460/3/60	LI	

CONDENSERS										
COND #	MODEL #	BASE H.O.R. (MBH)	DISCH TEMP/PRESS (oF/PSIG)	DESIGN AMBIENT WET BULB (oF)	CORRECTED H.O.R. (MBH)	FAN MOTOR (#, HP)	PUMP MOTOR (#, HP)	POWER (V/PH/HZ)	PAN HEATER (V/N)	COMMENTS
EC-01	IMECO/XLP-XL-530					1, 15	1, 5	460/3/60		

PRESSURE SAFETY VALVES								
PSV#	LOCATION	MANUF.	MODEL #	PRESSURE (PSIG)	INLET	OUTLET	CAPACITY (#/MIN AIR)	COMMENTS
O2,O3	C2	PARKER	SRH3	300	0.75	1	67.8	DUAL
O2,O3	C3	PARKER	SR2	300	0.5	1	35.7	DUAL
O2,O3	C4	PARKER	SRH3	300	0.75	1	67.8	DUAL
O2,O3	C8	PARKER	SRH1	300	0.5	0.75	67.8	DUAL
O2,O3	EC1	PARKER	SRH1	250	0.5	0.75	56.9	DUAL
O5,O6	EC1	PARKER	SRH1	250	0.5	0.75	56.9	DUAL
O2,O3	HPR1	PARKER	SRH1	250	0.5	0.75	56.9	DUAL
O2,O3	R2	PARKER	SRH3	150	0.75	1	35.35	DUAL
O2,O3	R3	PARKER	SRH3	150	0.75	1	35.35	DUAL
O1	R2OP	PARKER	SR1	250	0.5	0.75	17.1	SINGLE
O1	R3OP	PARKER	SR1	250	0.5	0.75	17.1	SINGLE

PRESSURE VESSELS						
#	DESCRIPTION	MANUFACTURER	MAMP	MDMT	NATIONAL BOARD #	COMMENTS
R2OP	RECIRCULATOR #2 OIL POT	RVS	300 PSIG @ 650 oF	-20oF @ 300 PSIG	228716	
R3OP	RECIRCULATOR #3 OIL POT	PRECISION HEAT EXH CO.	250 PSIG @ 650 oF			
HPR-1	HIGH PRESSURE RECEIVER	FRICK	260 PSIG @ 650 oF	-20oF @ 260 PSIG	27018	
R2	RECIRCULATOR #2	FRICK	150 PSIG @ 650 oF	-20oF @ 150 PSIG	28333	
R3	RECIRCULATOR #3	PRECISION HEAT EXH CO.	150 PSIG @ 200 oF		4411	

AUTOPURGER				
#	LOCATION	ROOM	MODEL#	COMMENTS
AP1	COMPRESSOR	ROOM		



**PILGRIM'S PRIDE**  
**PIPING & INSTRUMENTATION DIAGRAM**  
 Jackson, Mississippi

**SCHEDULES**

© The Stellar Group 2024. Copyright, Stellar Group 2024. All rights reserved. No part of this work may be used, reproduced, distributed, modified or otherwise communicated in any form or by any means without the prior written consent of the Stellar Group.

REV.	DATE	BY	DESCRIPTION

JOB NO. 55221594  
 DRAWN: R. LARUE  
 CHECKED: L. DAVIS  
 SCALE: NONE

**R602**  
 DRAWING NO.

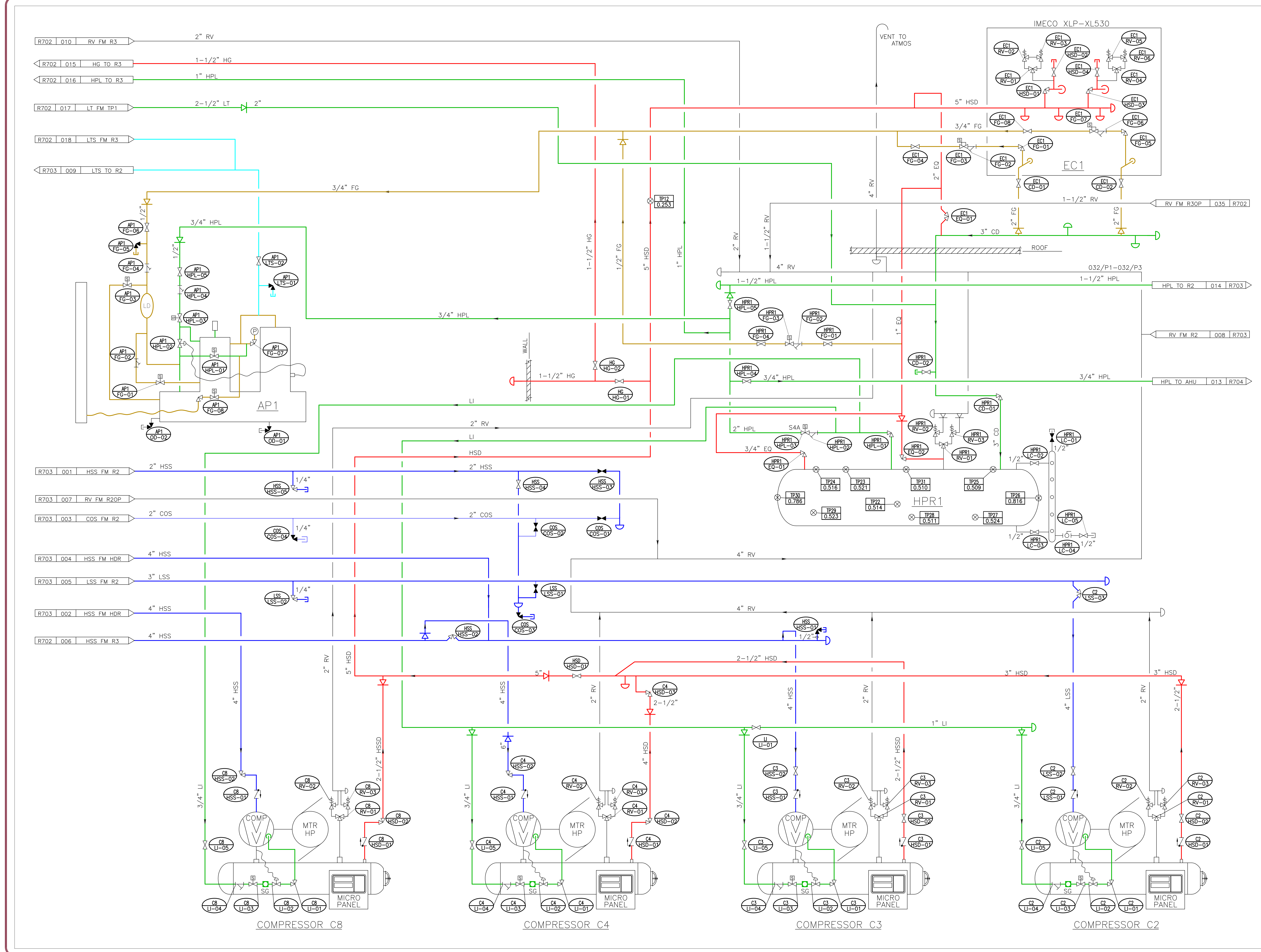
**PILGRIM'S PRIDE**  
 PIPING & INSTRUMENTATION DIAGRAM  
 Jackson, Mississippi

© The Stellar Group 2004. Copyright, Stellar Group 2004. All rights reserved. No part of this work may be used, reproduced, distributed, modified or otherwise communicated in any form or by any means without the prior written consent of the Stellar Group.

REV.	DATE	BY	DESCRIPTION

JOB NO. 55221594  
 DRAWN: R. LARUE  
 CHECKED: L. DAVIS  
 SCALE: NONE

**R701**  
 DRAWING NO.



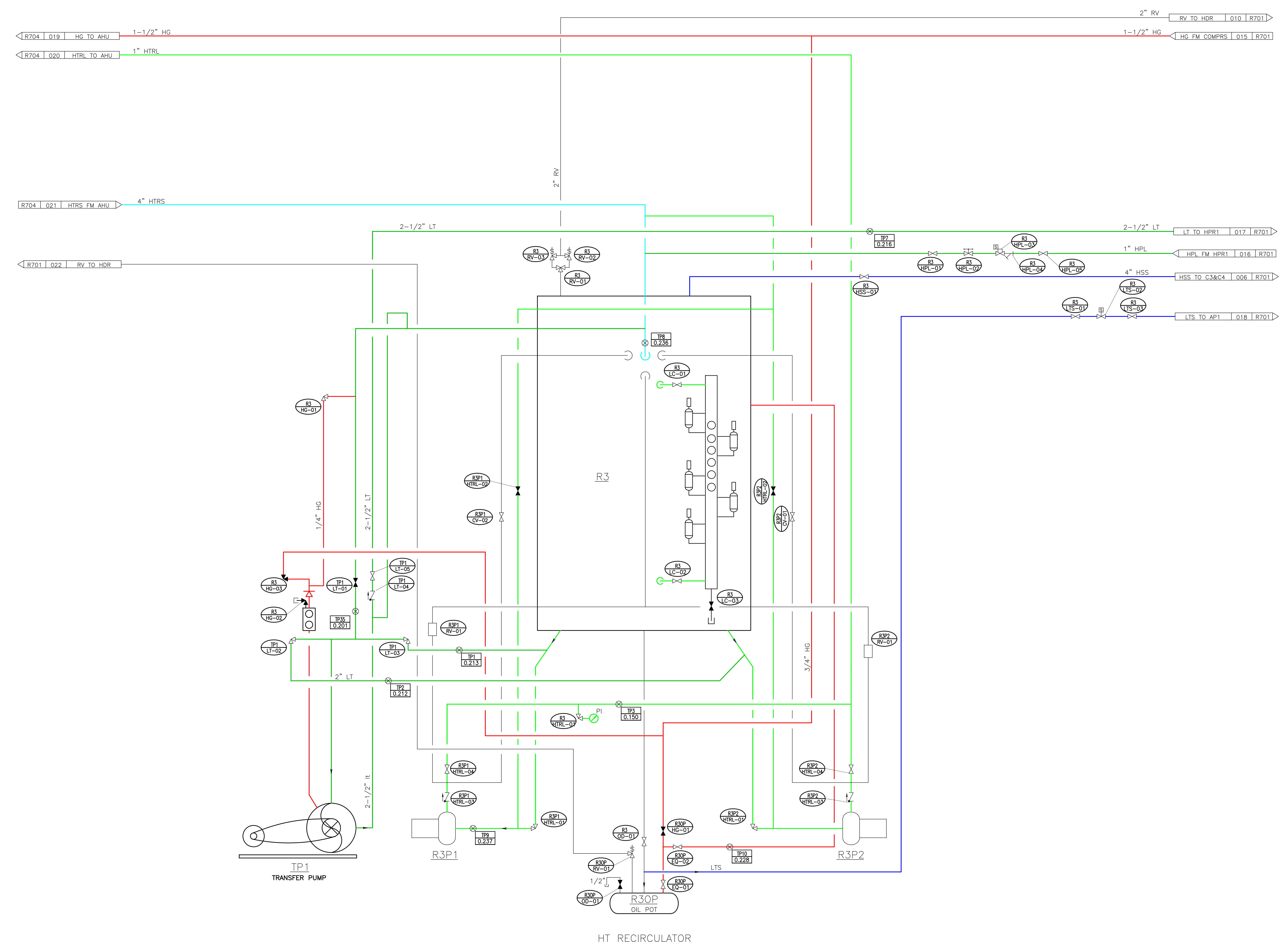
**PILGRIM'S PRIDE**
  
**PIPING & INSTRUMENTATION DIAGRAM**
  
 Jackson, Mississippi

© The Stellar Group 2006. Copyright, Stellar Group 2006. All rights reserved. No part of this work may be used, reproduced, distributed, modified or otherwise communicated in any form or by any means without the prior written consent of the Stellar Group.

REV.	DATE	BY	DESCRIPTION

JOB NO. 55221594
   
 DRAWN: R. LARUE
   
 CHECKED: L. DAVIS
   
 SCALE: NONE

**R702**
  
DRAWING NO.



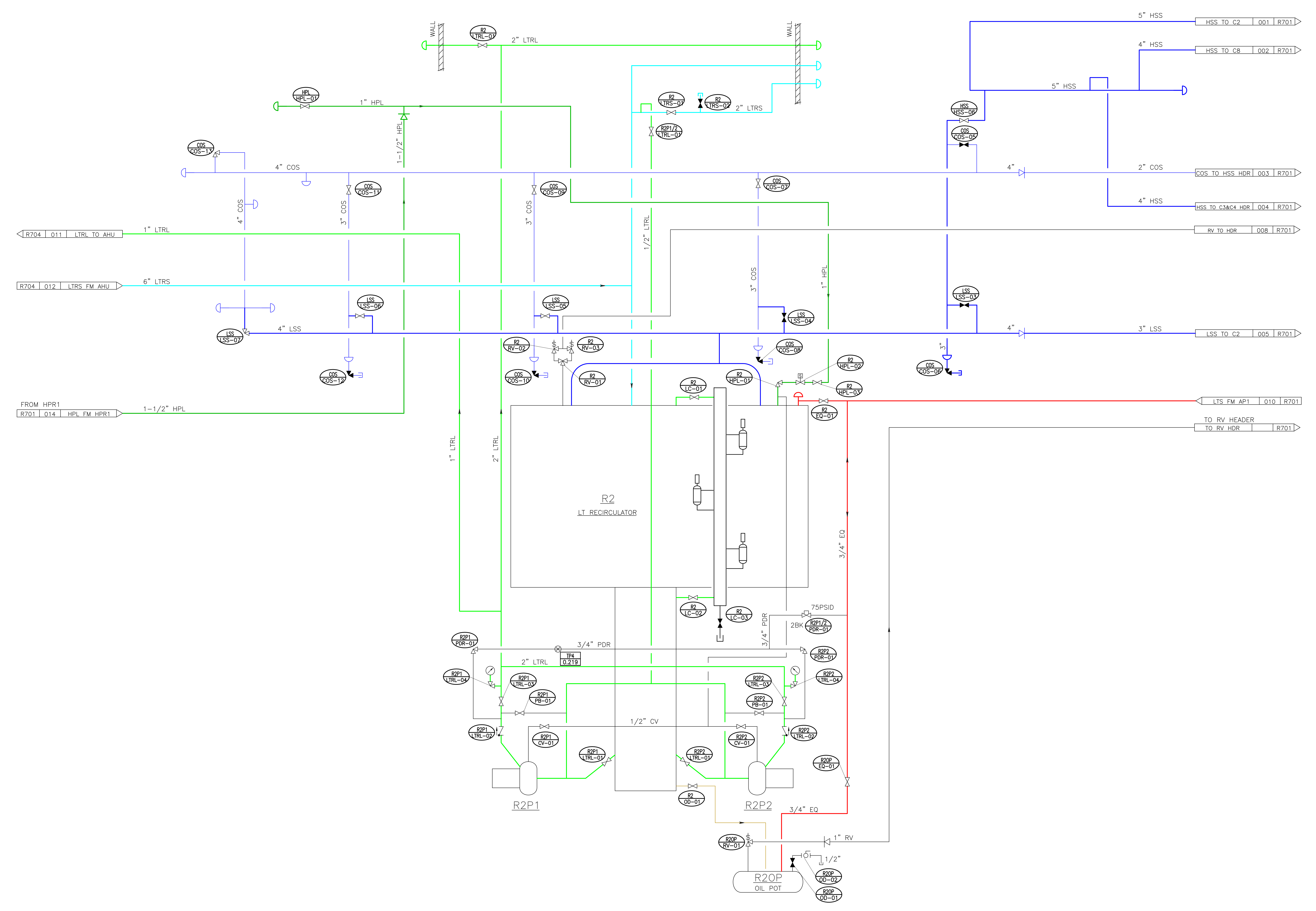
**PILGRIM'S PRIDE**
  
**PIPING & INSTRUMENTATION DIAGRAM**
  
 Jackson, Mississippi

© The Stellar Group 2016. Copyright, Stellar Group 2016. All rights reserved. No part of this work may be used, reproduced, distributed, modified or otherwise communicated in any form or by any means without the prior written consent of the Stellar Group.

REV.	DATE	BY	DESCRIPTION

JOB NO. 55221594
   
 DRAWN: R. LARUE
   
 CHECKED: L. DAVIS
   
 SCALE: NONE

**R703**
  
DRAWING NO.



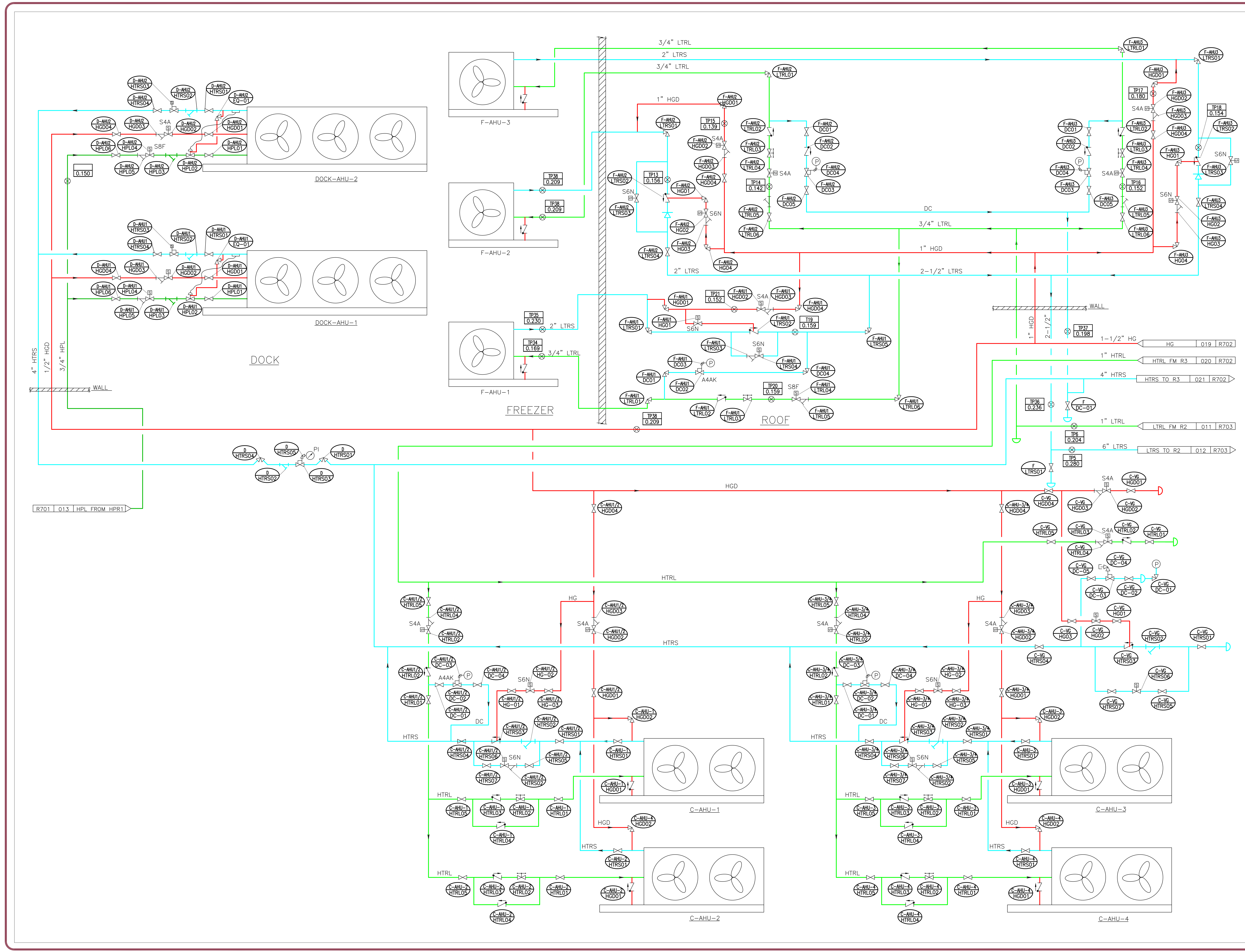
**PILGRIM'S PRIDE**  
PIPING & INSTRUMENTATION DIAGRAM  
Jackson, Mississippi

© The Stellar Group 2004. Copyright, Stellar Group 2004. All rights reserved. No part of this work may be reproduced, stored in a retrieval system, or transmitted in any form or by any means without the prior written consent of the Stellar Group.

REV.	DATE	BY	DESCRIPTION

JOB NO. 55221594  
DRAWN: R. LARUE  
CHECKED: L. DAVIS  
SCALE: NONE

**R704**  
DRAWING NO.





INTERACTIVE SOLUTIONS

2900 HUNTER ROAD, JACKSONVILLE, FL 32217 (904) 980-9900

PILGRIM'S PRIDE PIPING & INSTRUMENTATION DIAGRAM

Jackson, Mississippi

VALVE LEGEND

Table with columns: P/N, UNIT, VALVE ID, TYPE, FUNCTION/SERVICE, MODEL#, SIZE(in). Contains valve specifications for Pilgrim's Pride, Jackson, MS.

Table with columns: P/N, UNIT, VALVE ID, TYPE, FUNCTION/SERVICE, MODEL#, SIZE(in). Contains valve specifications for Pilgrim's Pride, Jackson, MS.

Table with columns: P/N, UNIT, VALVE ID, TYPE, FUNCTION/SERVICE, MODEL#, SIZE(in). Contains valve specifications for Pilgrim's Pride, Jackson, MS.

© The Stellar Group 2004. Copyright, Stellar Group 2004. All rights reserved. Reproduction, distribution, or use in any form without the prior written permission of Stellar Group is prohibited.

Table with columns: JOB NO., DRAWN BY, CHECKED BY, SCALE, and a grid for DATE and BY.

R801 DRAWING NO.